

# 0604

FINISHES:



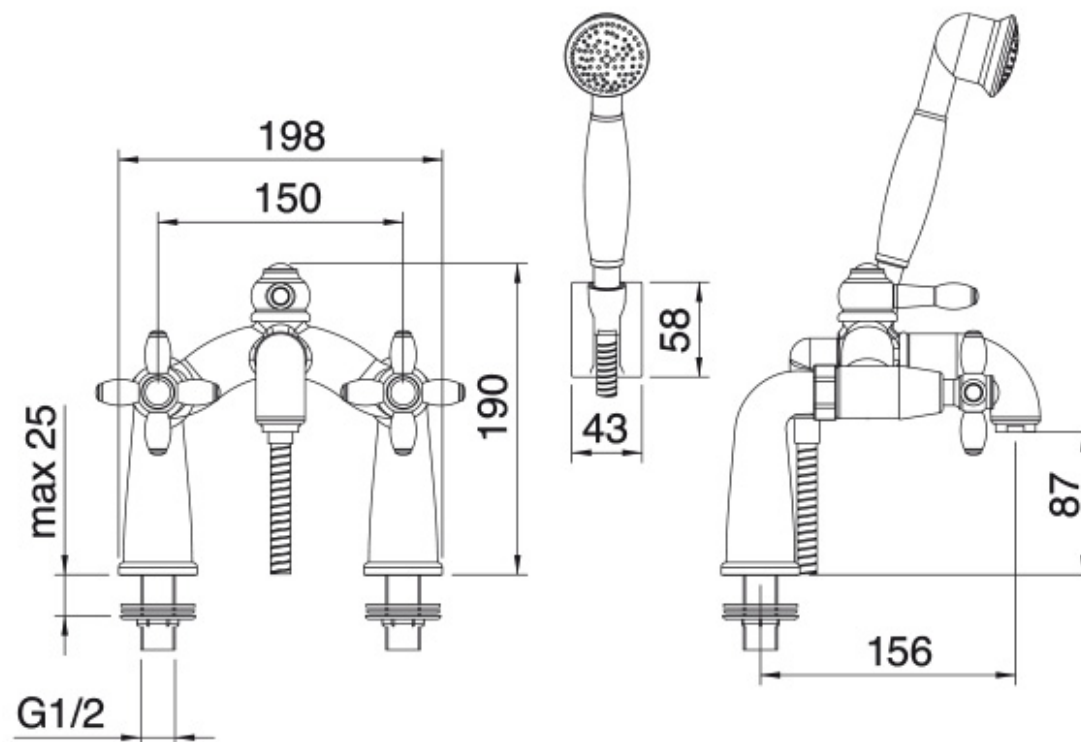
CHROME



CHROME / GOLD



GOLD



RUBINETTERIE  
**treemme**  
*instruments for water*