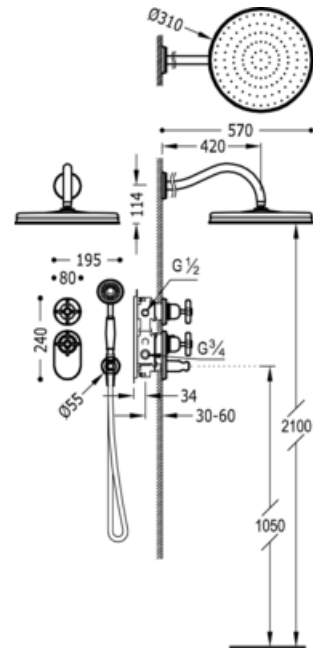


Concealed thermostatic shower kit; with water shut off and flow control (2 ways).
 Built-in thermostatic body included. Fixed shower head Ø 310 mm. with ball joint. (299.337.03).
 Elbow wall (242.182.01). Shower Antilime Ø 78 mm. (299.631.09).
 Double interlocked shower hose: chrome finish



Shower
 Thermostatic
 Handle
 Built-in

CRO 24235202